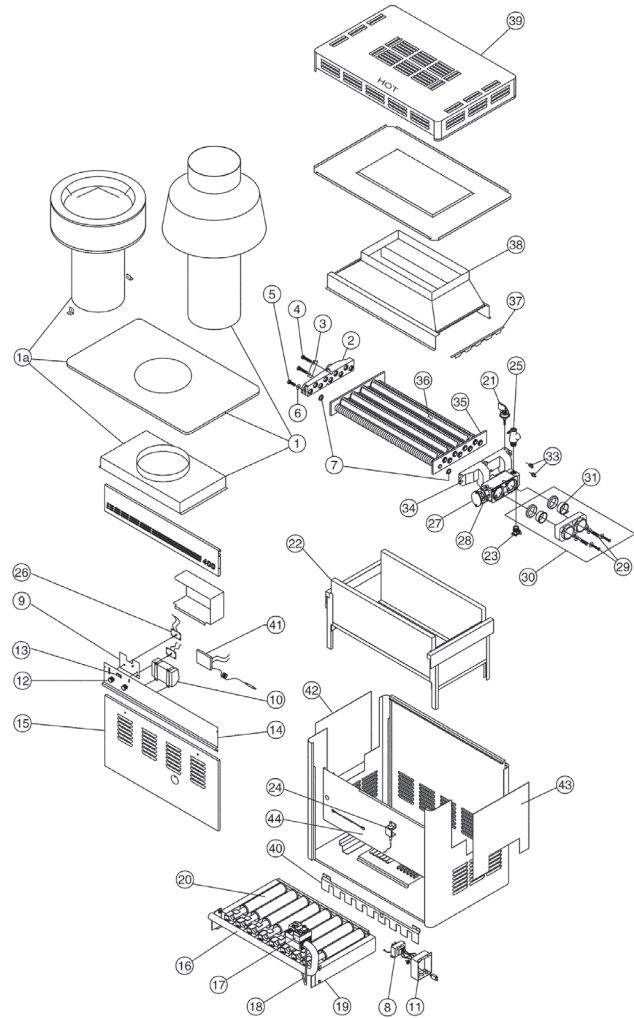


MiniMax® Plus Heater

Replacement Parts



In January 1996, the circuit boards for Minimax Heaters were changed at the terminals by request of the American National Standard Institute (ANSI) and the American Gas Association (A.G.A.), the two approval agencies for the manufacturing of gas heaters in the United States. If you have a heater manufactured before January 1, 1996 and you receive a newer circuit board with the smaller terminals and the older thermistor has larger connectors, the larger connectors can be crimped so they will fit tight on the newer circuit board terminals, contact a Pool Service Professional for details.



Item	Part No.	Mod.	Description	Qty.	US List	Can. List
VENT KIT ASSEMBLY						
I	460227	150	Indoor	I	258.50	289.52
I	460228	200	Indoor	I	258.50	289.52
I	460230	250	Indoor	I	263.48	295.10
I	460231	300	Indoor	I	285.70	319.98
Ia	460233	350	Outdoor	I	270.94	303.45
Ia	460234	400	Outdoor	I	285.70	319.98
Ia	460237	150	Outdoor	I	256.11	286.84
Ia	460222	200	Outdoor	I	256.11	286.84
Ia	460223	250	Outdoor	I	261.03	292.35
Ia	460224	300	Outdoor	I	285.70	319.98
Ia	460225	350	Kit Outdoor Vent, 350 PLS	I	285.70	319.98
Ia	460226	400	Kit Outdoor Vent, 400 PLS	I	285.70	319.98
2	070994		Header Return	I	192.32	215.40

Item	Part No.	Mod.	Description	Qty.	US List	Can. List
3	074216		Bracket Washer	2	4.92	5.51
4	073739		Bolt 3/8, 16 x 2 in. ¹	4	1.24	1.39
5	070416		Bolt 3/8, 16 x 1-1/2 in. ¹	4	1.24	1.39
6	072180		Washer 3/8 in.	4	1.24	1.39
7	070951		Gasket, steel tube	18	1.24	1.39
8	471360		Transformer 24 Vac CH with circuit breaker	I	59.16	66.26
9	470179		Electronic thermostat circuit board	I	194.89	218.28
10	073584		Module natural gas ¹	I	264.55	296.30
10	073585		Module propane gas ¹	I	273.23	306.02
11	470122		Junction Box 110 unit	I	30.23	33.86
12	470184		Thermostat knob	10.25	11.48	
13	470186		Switch, rocker Single pole, double throw	10.05	11.26	